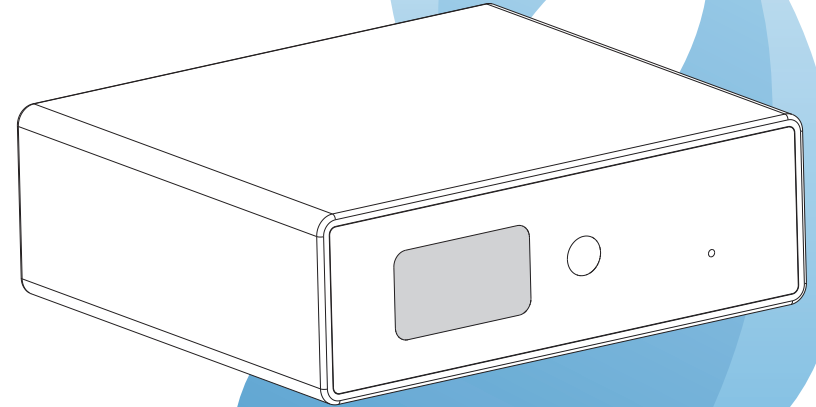


# WalleCube Smart UPS Manual

## Customer Service

Email: [hi@wallecube.com](mailto:hi@wallecube.com)  
Website: <https://www.wallecube.com>



Please read this manual thoroughly and inspect the device before connecting or operating.

# Table of Contents

## Read Before Operating

Important Notes .....	1
Safety Precautions .....	1
Warning.....	1

## Packaging List

Device and Cables .....	2
-------------------------	---

## Appearance

Appearance and Interfaces .....	3
---------------------------------	---

## Instructions

Operating.....	4
Connecting .....	6
Binding.....	11
Network .....	12

## Advanced Settings

Power Adapter Configuration .....	13
Other Advanced Settings .....	14

## Connection Check

Connection Check at NAS Backend.....	15
--------------------------------------	----

## Specifications and Warranty

Specifications.....	16
Warranty .....	17

# Read Before Operating

## Important Note

Before connecting, operating, and maintaining the device for the first time, please ensure that it is powered on.

## Safety Precautions

**Not suitable for and must not be used in the following situation:**

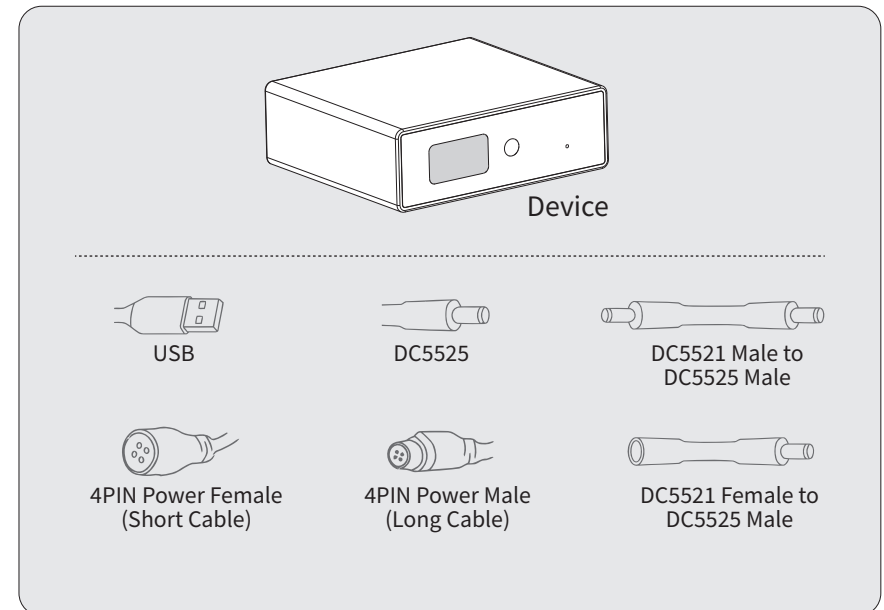
1. Environments with hazardous gases
2. Environments with moisture, dust, dirt, steam, or extreme humidity
3. Environments that are prone to mold, insects, or parasites
4. Environments with salty air or cooling water, smoke, acid, or other contaminants
5. Environments with a pollution level higher than 2 according to IEC 60664-1
6. Environments with abnormal vibration, heat sources, or strong electromagnetic interference

## Warning

1. This device is designed for indoor use only.
2. Do not use this device in areas exposed to direct sunlight, liquids, excessive dust, or high humidity.
3. Do not use a transformer or voltage regulator to power the device, as this may cause damage to the device.

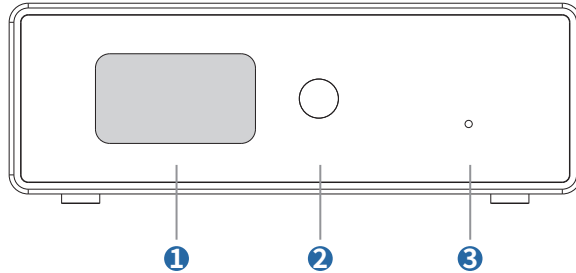
4. The UPS does not have a transformer function; do not use it across voltage ranges. Do not use an adapter with a voltage that does not match the device's power requirements, as this may cause damage to the device.
5. Please set the adapter's voltage and current correctly. Incorrect settings may cause the UPS to fail to charge or damage the NAS.
6. In case of connecting multiple devices, ensure that the total power output of the power supply adapter exceeds the combined maximum power requirements of all connected devices. The maximum power of each device should be based on the power rating specified on the original power adapter.

## Packing List

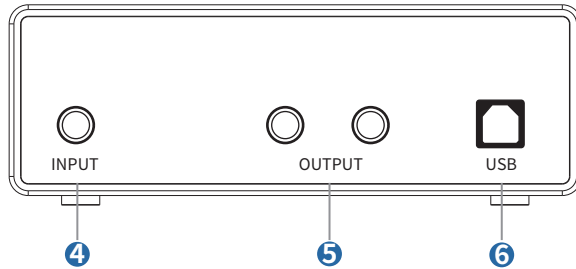


# Appearance

## FRONT



## BACK



- |   |                                 |
|---|---------------------------------|
| 1 | Screen                          |
| 2 | Power and wake-up button        |
| 3 | Reboot                          |
| 4 | Power input                     |
| 5 | Power output (non differential) |
| 6 | USB port                        |

# Instructions

## Important Note

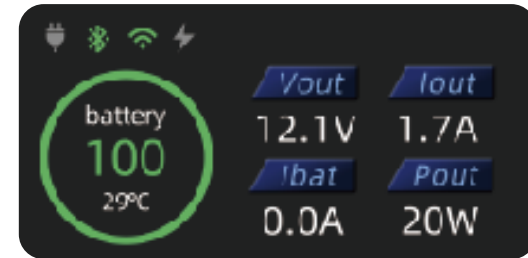
Before connecting, operating, and maintaining the device for the first time, please power the device first.

## Operating

### • Power On and Power Off

Power on: Press and hold the power button until you hear a beep.

Power off: Disconnect all inputs and outputs from the UPS, press and hold the power button for 15 seconds to turn it off.



	Adapter plugged in.
	Adapter not plugged in.
	WIFI connected
	WIFI not connected
	Bluetooth connected
	Bluetooth not connected
	Charging
	Not charging

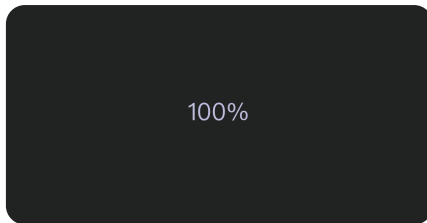
<b>Vout</b>	Current output voltage
<b>Iout</b>	Current output current
<b>Ibat</b>	Current battery current
<b>Pout</b>	Current output power
<b>29°C</b>	Current battery temperature
<b>Battery</b>	Time remaining at current power

## • Screen Off, Sleep Mode and Transport Mode

UPS Screen Off: When powered on, the system defaults to screen off mode after approximately 5 minutes.

UPS Sleep Mode: When not powered on, the system defaults to sleep mode after 10 minutes.

UPS Transport Mode: After 72 hours in sleep mode, the UPS enters transport mode.



## • UPS Wake Up

UPS wake-up: After screen off sleep mode, press the power button once to wake up the UPS.

## • UPS Restart

UPS restart: Press the device reboot button to restart the UPS.

## • Device Information

View device information: Press and hold the power button for 5 seconds to display device information, including the device's IP address, IMEI number, and the QR code corresponding to that IMEI number.



## Connecting

### Important Note

Before connecting, make sure to select the right cables according to the port type of the NAS.

### Identify Device Type

The UPS supports three types of device: DC5525, DC5521 and 4-pin. Before connecting the UPS, check the following list of the common NAS models to make sure the device type.

### Synology

2 Series	DC5521
4 Series	4Pin
7 Series	4Pin
9 Series	4Pin
1522+	4Pin
1520+	4Pin
1525+	4PIN

### UGREEN

2 Disks	DC5525
4 Disks	DC5525

### TerraMaster

F2	DC5525
F4	DC5525
F8 SSD	DC5525

### QNAP

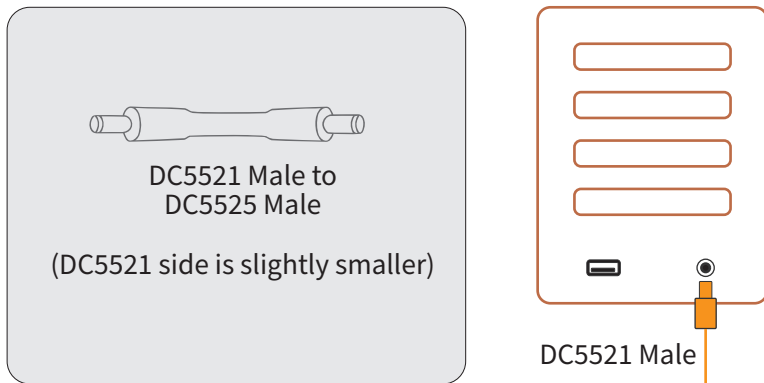
2 Series	DC5525
4 Series	DC5525
5 disks	DC5525
TS-564	DC5525

## Trouble Shooting

If there are problems identifying the DC5525 and DC5521 ports, use the cables provided with the UPS for a quick check.

The DC5525 and DC5521 differ slightly in size, and this difference can be used to identify the ports:

Without connecting the UPS, insert the DC5521 into the NAS port. If it comes loose, the NAS is a DC5525 device; if it fits perfectly, the NAS is a DC5521 device.

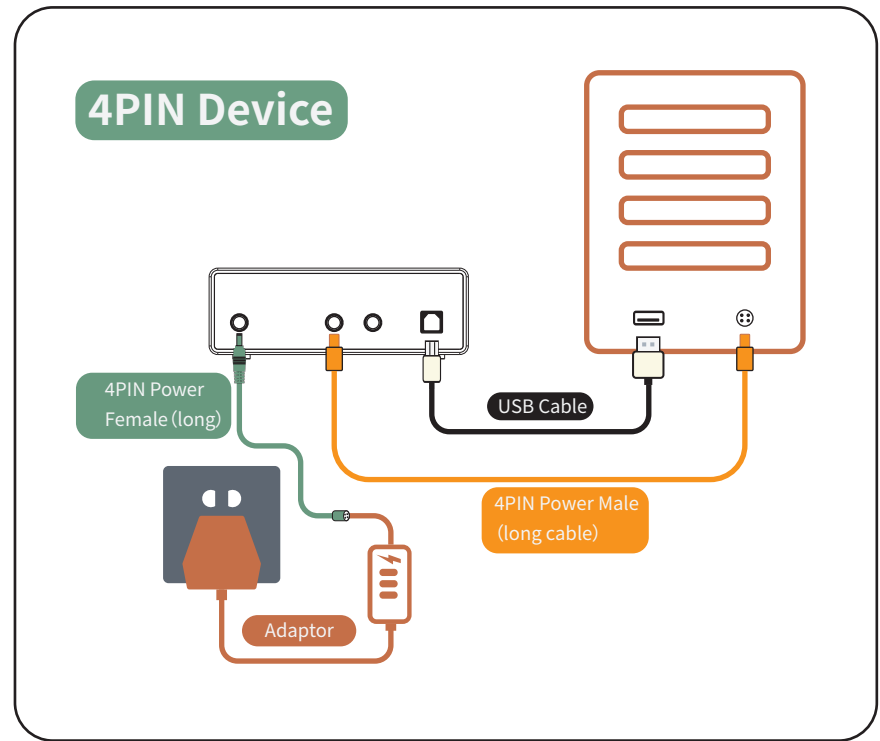
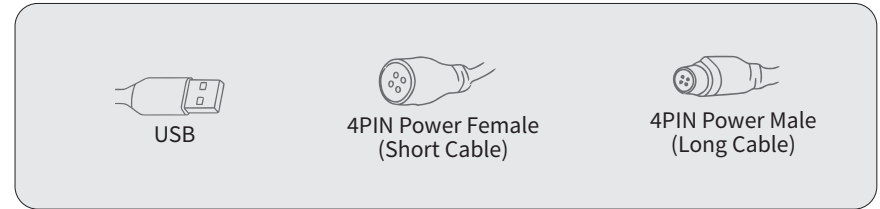


If still not sure about the port type of your device, please check the device manual or send us an email.

**Customer Service:**  
[hi@wallecube.com](mailto:hi@wallecube.com)

## For 4PIN Device

You will need these following cables to connect the device:



## For DC5525 Device

You will need these following cables to connect the device:

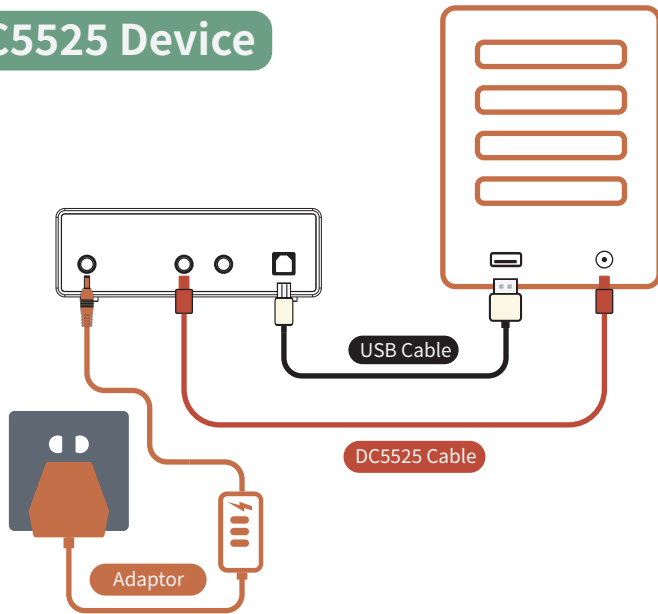


USB



DC5525

## DC5525 Device

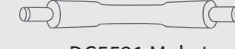


## For DC5521 Device

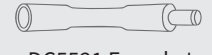
You will need these following cables to connect the device:



USB

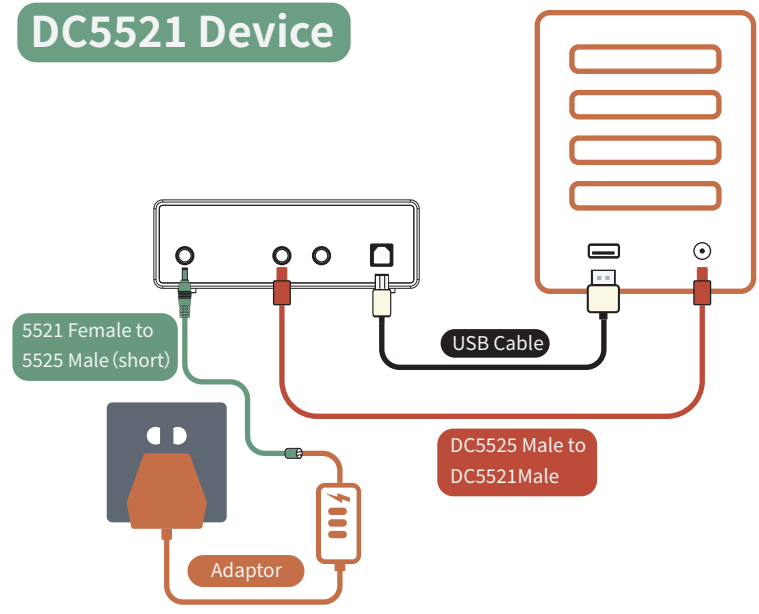


DC5521 Male to  
DC5525 Male



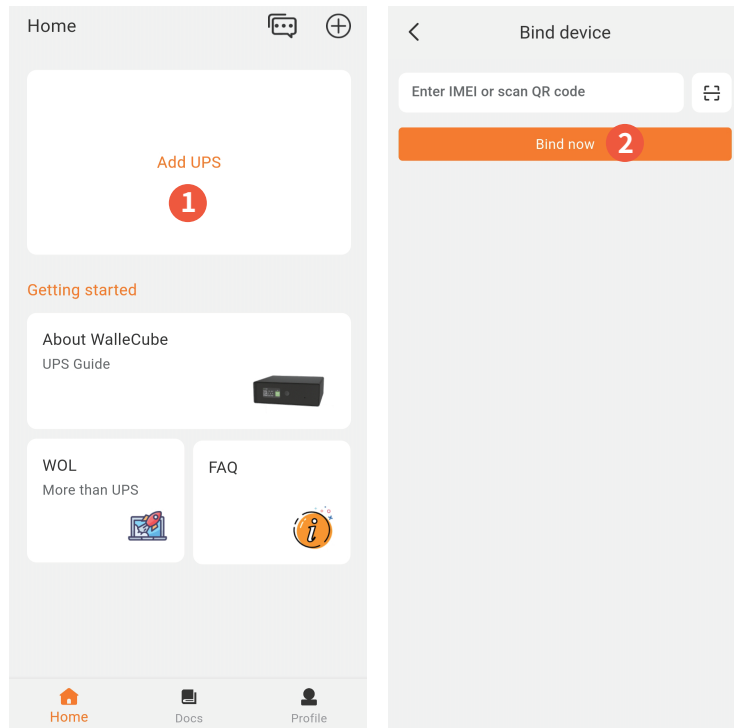
DC5521 Female to  
DC5525 Male

## DC5521 Device





## Binding

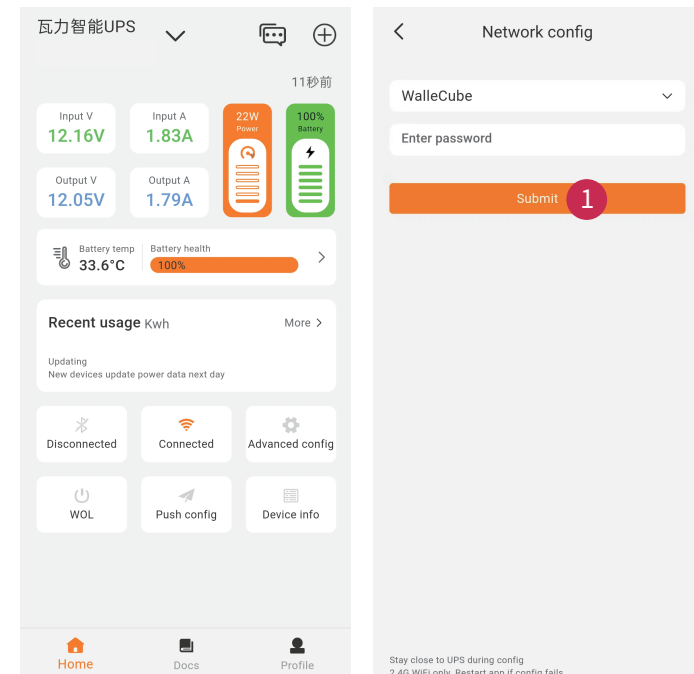
1. Scan the QR code for the APP (Android), or search WalleCube in APP Store (iPhone).
2. With the screen on, press and hold the power button for three seconds. A QR code will appear on the screen.
3. Click Add UPS **1** Scan the device's QR code or enter the device's IMEI and click Bind Now **2**



## Network

Click the Bluetooth icon  and wait for the Bluetooth connection to establish. Click the Wi-Fi icon  to configure your network. Enter the network configuration interface. Enter the Wi-Fi password and click 'Submit' **1**

Return to the homepage and wait about a minute. When the Wi-Fi icon lights up, the network configuration is complete.



### Cautions

- Connecting Bluetooth needs location, Bluetooth, and nearby devices (local network) permissions, please turn on the phone's location and Bluetooth.

- Only 2.4G WIFI is supported. If both 2.4 GHz and 5 GHz Wi-Fi are enabled and no IP address can be assigned, please disable 5 GHz Wi-Fi.
- When configuring Wi-Fi, make sure you are close to the router and disconnect the phone from Wi-Fi. Use mobile data to configure the phone.
- If an IP address cannot be assigned, try restarting the device by pressing the reset button. Check the router's Wi-Fi encryption type.

## Advanced Settings

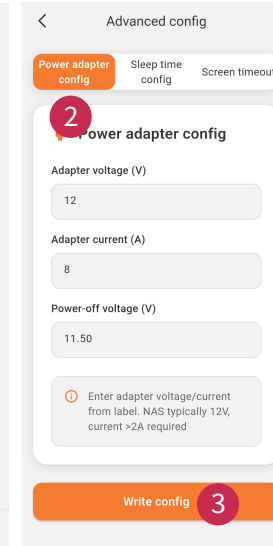
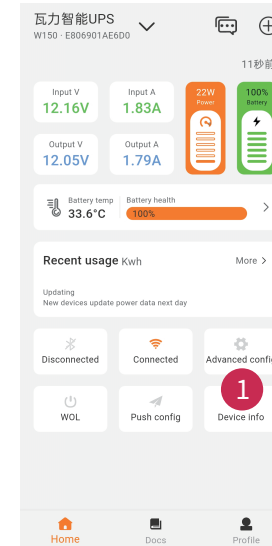
### Power Adapter Configuration

#### Purpose

The UPS needs to know its operating conditions, such as the required voltage and maximum current, so that it can detect when the power is off and when to power the NAS.

#### How to

1. Once connected to Bluetooth, click 'Advanced Config' **1**
2. 'Adapter Config' **2**
3. Refer to the power adapter nameplate for configuration details.
3. Once complete, click 'Write Config' **3** to finalise the configuration.



Example: For this adapter, the power adapter voltage is set to 12 and the current is set to 7.5.

#### Cautions

After changing the adapter setting, poke the restart button on the front panel to restart the UPS and apply the new configuration. This can be done while the UPS is still running.

### Other Advanced Settings

WalleCube UPS has OTA online upgrade function, and we will strive to update and provide more advanced functions, please view the online document within the APP to get more advanced function

# Connection Check

## Connection Check at NAS Backend

### NAS Configuration

- Please check the UPS connection status in the NAS system in 5 minutes after connecting to the NAS.
- The check paths for some NAS are as follows. If not mentioned, please check in the manual of the NAS.

Synology	Control Panel > Hardware & Power > UPS
QNAP	Control Panel > System > External Device > UPS
UGREEN	Control Panel > Hardware and Power > UPS
TerraMaster	Control Panel > Hardware and Power > UPS
ZSpace	Setting > UPS
fnOS	Setting > UPS

If you encounter any configuration issues within NAS, please consult the customer service of the NAS, check the onling manual in WalleCube APP or send us an email:

**Customer Service:**  
[hi@wallecube.com](mailto:hi@wallecube.com)

# Specifications

MODEL	WalleCube Smart UPS W150
INPUT	Voltage:9V - 20V Current 2A - 10A
OUTPUT	Voltage:9V - 20V Maxium Power: 120W (12V-15V Mode) 150W (15V Mode) 145W (15V-20VMode) Input Port:DC 5.5*2.5 X1 Output Port:DC 5.5*2.5 X2
NETWORK	Configuration:APP Network Type:2.4G WIFI
BATTERY	Battery Type:Lithium Iron Phosphate Capacity:57.6Wh (18000mAh)
COMM PORT	USB Port X1
ENVIRONMENT	Operating Temperature:-20°C - 60°C Relative humidity:0 - 90% (No Frost)
DIMENSION	Dimension:120x106x40 (mm) Weight:780 (g)
SCREEN	1.47 Inch TFT Screen
SYSTEM	Synology DSM7.0+ QNAPQTS5.0+ TerraMasterTOS5.0+ ZSpaceZOS UGREEN UGOS & Pro fnOS TrueNAS Scale & Core Unraid UNAS Hikvision

# Warranty

This product provides a one-year standard warranty service from the date of purchase. For specific warranty policies, please refer to the sales platform.

## Warranty NOT Included

1. The warranty of this product has expired;
2. Damage caused by misuse, maintain or keep the product in inappropriate environment according to the manual;
3. Damage caused by the user's own disassembly and modification;
4. Product damage caused by unexpected factors or behavior;
5. Damage caused by the use of pirated or other illegally

## FCC Warning

This device complies with Part 15 of the FCC Rules. Operation is subject to the following two conditions:

(1) This device may not cause harmful interference, and (2) this device must accept any interference received, including interference that may cause undesired operation.

**NOTE 1 :** This equipment has been tested and found to comply with the limits for a Class B digital device, pursuant to part 15 of the FCC Rules. These limits are designed to provide reasonable protection against harmful interference in a residential installation.

This equipment generates, uses and can radiate radio frequency energy and, if not installed and used in accordance with the instructions, may cause harmful interference to radio communications. However, there is no guarantee that interference will not occur in a particular installation. If this equipment does cause harmful interference to radio or television reception, which can be determined by turning the equipment off and on, the user is encouraged to try to correct the interference by one or more of the following measures:

- Reorient or relocate the receiving antenna.
- Increase the separation between the equipment and receiver.
- Connect the equipment into an outlet on a circuit different from that to which the receiver is connected.
- Consult the dealer or an experienced radio/TV technician for help.

**NOTE 2:** Any changes or modifications to this unit not expressly approved by the party responsible for compliance could void the user's authority to operate the equipment.

## RF Exposure Statement

To maintain compliance with FCC'S RF Exposure guidelines, This equipment should be installed and operated with minimum 20cm between the radiator and your body. This device and its antenna(s) must not be co-located or operation in conjunction with any other antenna or transmitter.